

IntegraMouse Plus[®] **Quick Guide** (v1.0)

to
**COMMISSIONING
CLEANING
CONTROLLING**



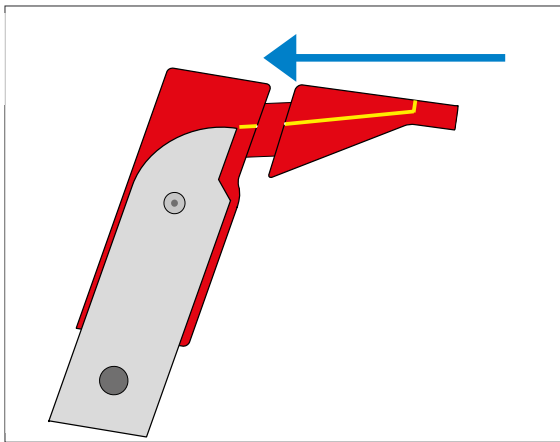
CE

English (EN)

Quick Guide COMMISSIONING

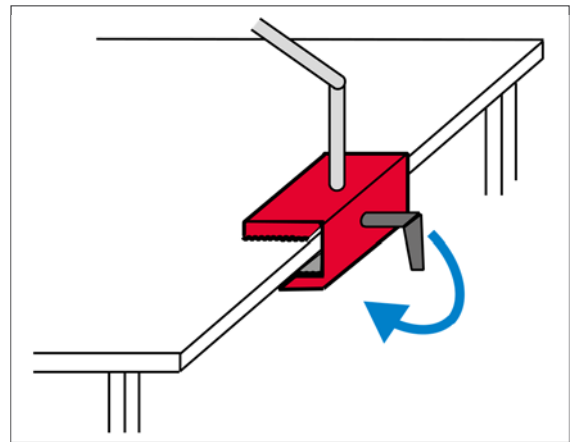
Mounting of IntegraMouse Plus

1



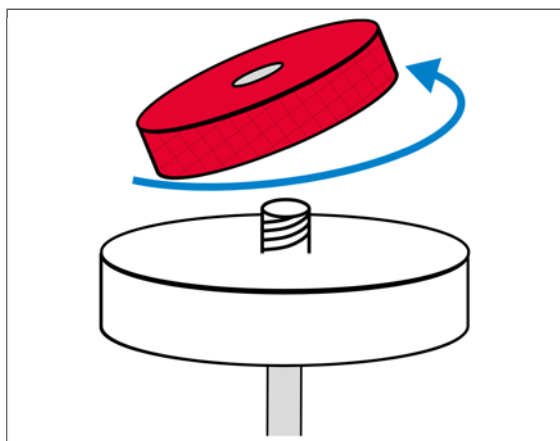
Insert mouthpiece in a straight movement

2



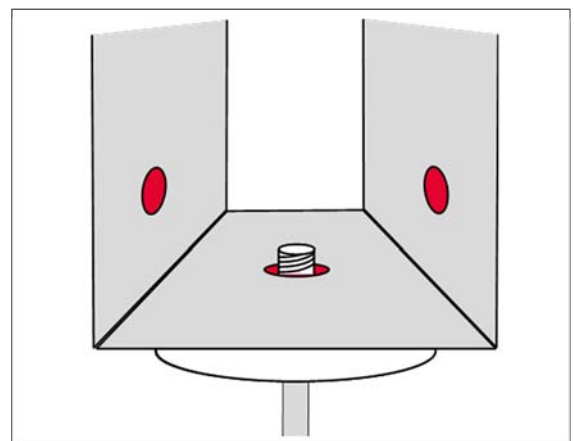
Install mounting system

3



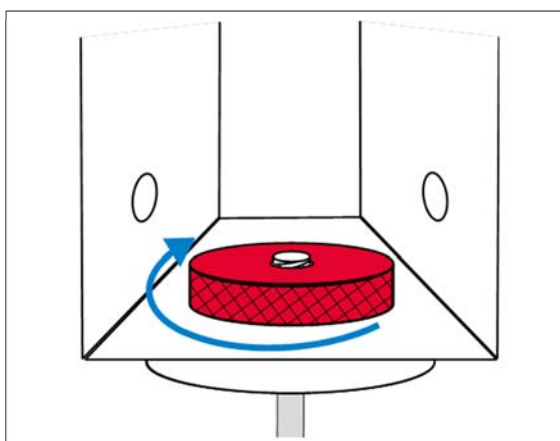
Remove the locknut

4



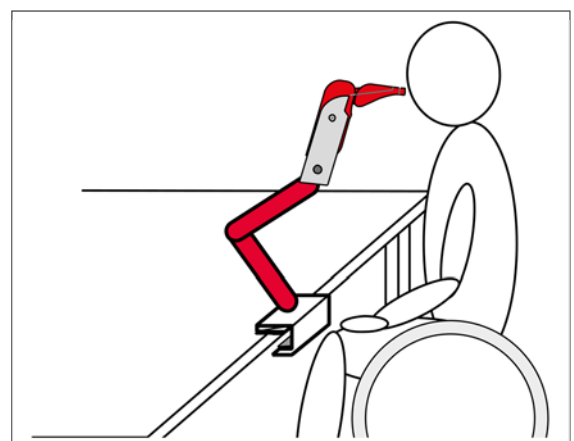
Choose one of the 3 openings in the bracket

5



Tighten the locknut

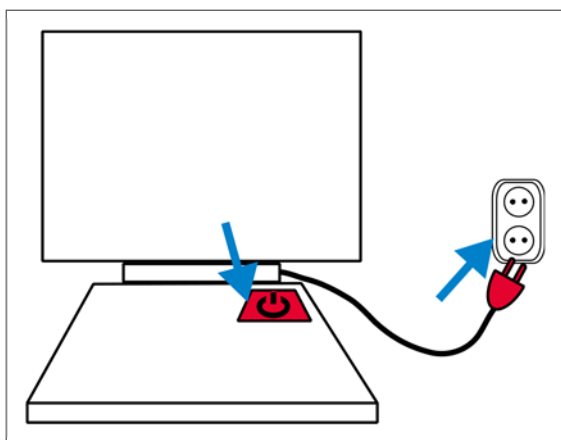
6



Bring the device into the desired working position

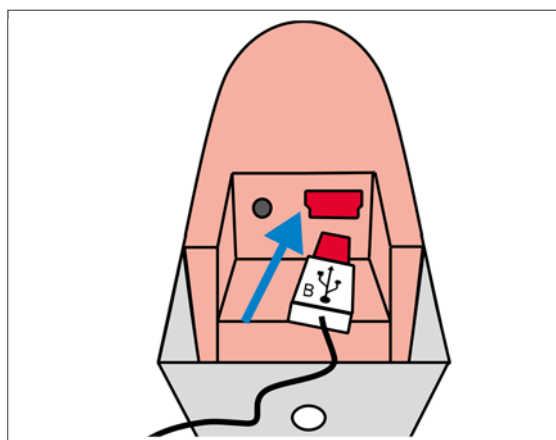
IntegraMouse Plus in cable-connected mode

7



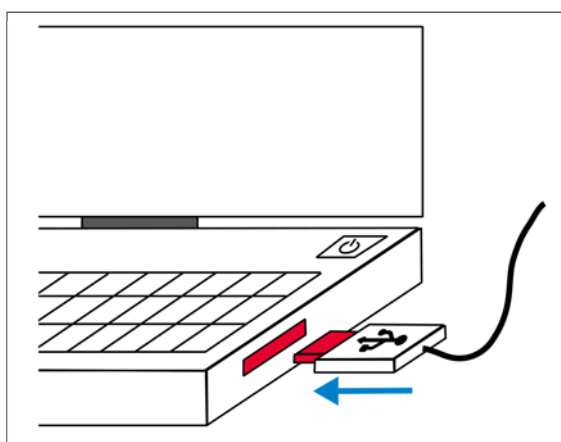
Turn the computer on

8



Plug the USB-cable into the IntegraMouse Plus

9



Plug the USB-cable into the computer

All further steps are executed automatically:

- Charging the battery of IntegraMouse Plus
- IntegraMouse Plus turns on automatically (green LEDs light up)
- IntegraMouse Plus calibrates shortly (green and blue LEDs flash alternately)

i Please do not touch the IntegraMouse Plus during calibration!

- Your computer installs the IntegraMouse Plus as a standard mouse

Your IntegraMouse Plus is ready to use!

You will find a Quick Guide to setting the IntegraMouse Plus up in wireless mode on the next page.

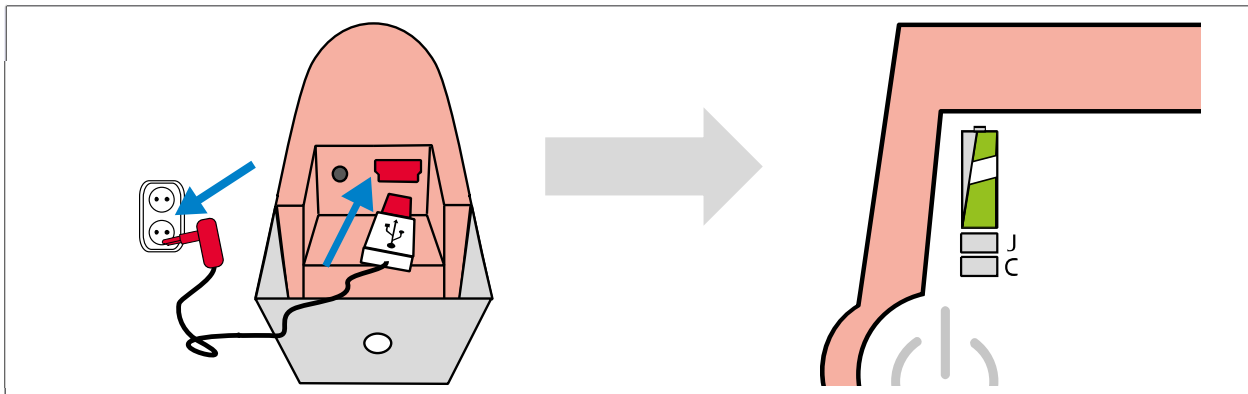
Look at www.youtube.com for detailed training videos.

Quick Guide to Commissioning in Wireless Mode

Using IntegraMouse Plus Connect (IM+ Connect)



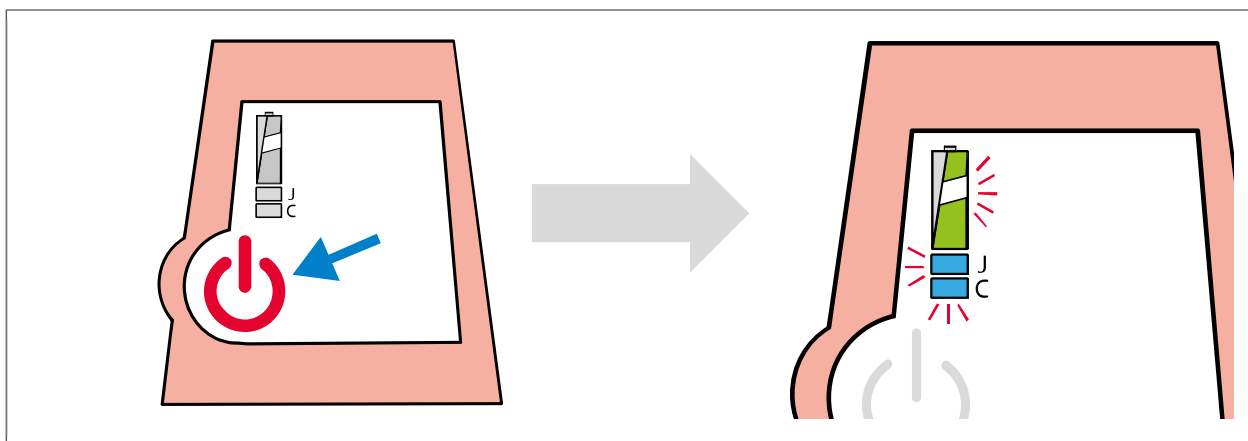
In order to use wireless mode, make sure the battery of IntegraMouse Plus is charged!



Charge the battery with the enclosed power pack

When both LEDs light up green, the battery is fully charged

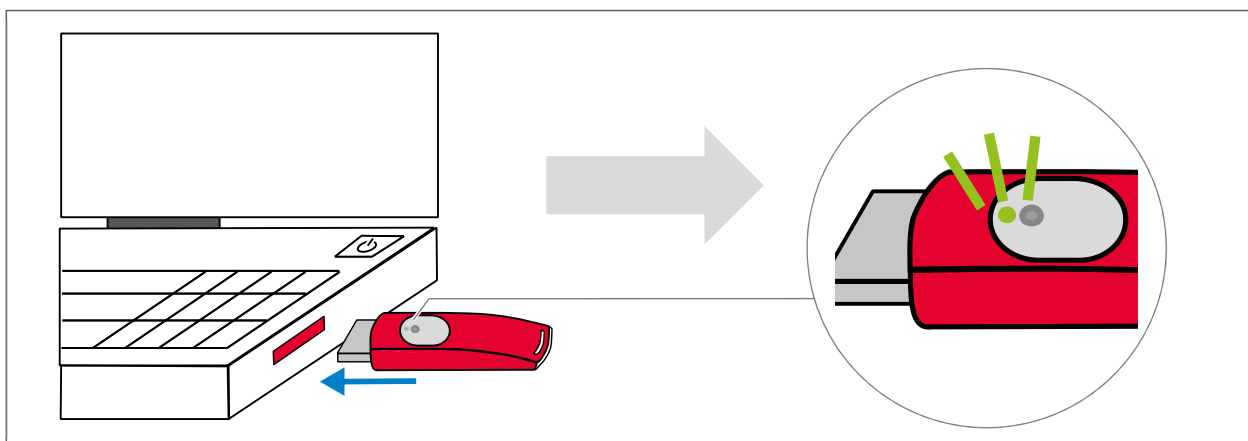
1



Turn on the IntegraMouse Plus by pressing the On/Off button

IntegraMouse Plus calibrates, the LEDs flash alternately

2



Insert IM+ Connect into one of the computer's USB ports

Connection is established, green LED on the IM+ Connect lights up

General Notes on Cleaning



Use of IntegraMouse Plus in the clinical sector

- In the clinical sector use the mouthpiece, the membrane and the silicone tube as disposable products
- The interval between changes of the mouthpiece must be determined by a doctor or by specialist staff
- In case of suspected infectious diseases please take special safety precautions

Disinfection by wiping

- Use only surface disinfectants which are suitable for LEXAN polycarbonate and aluminium
- We recommend by Schülke & Mayr (www.schuelke.com):
 - Mikrozyd Sensitive Liquid or
 - Mikrozyd Sensitive Wipes



Do not use steam sterilization

- The mouthpiece and other components of the IntegraMouse Plus are not allowed to be cleaned with steam, wet or gamma sterilization

Do not use aggressive cleaning agents

- Never use aggressive cleaning agents, this will destroy the surface of the components

Do not immerse in water

- Never immerse the IntegraMouse Plus and their electronic components in water and never use running water – otherwise you could destroy the device



Correct cleaning of components

- The parts of IntegraMouse Plus, mouthpiece, IM+ Connect, power pack including cable and stand can be cleaned by wiping with a damp, lint-free cloth
- Clean the components once a week

More detailed information can be found in the original instructions.

QuickGuide CLEANING the mouthpiece & REPLACING the membrane



Cleaning- and disposal-interval of the mouthpiece:

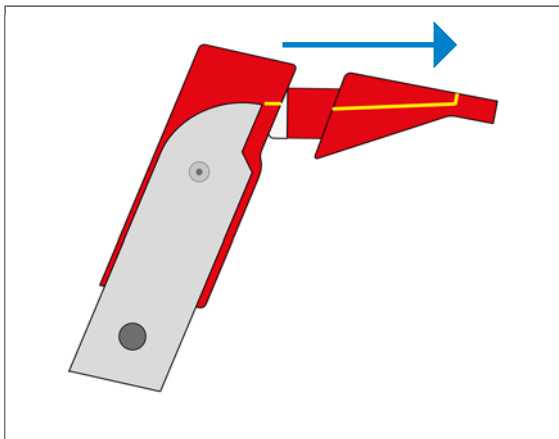
Cleaning: - at least once a week
- more often in case of illness

Dispose: - if damaged or signs of wear visible
- within six months

Disposal-interval of the membrane:

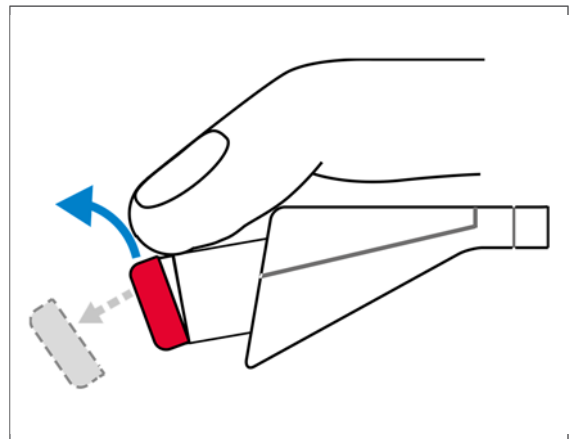
Always dispose of the membrane, no cleaning is recommended

1



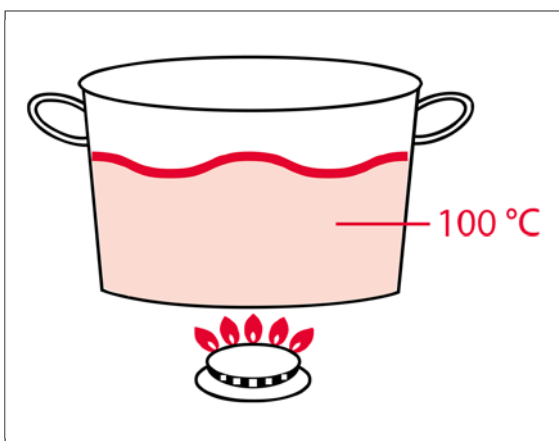
Pull mouthpiece off in straight movement

2



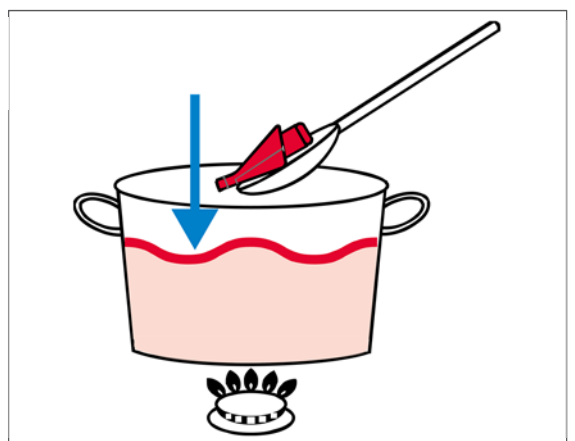
Remove the membrane and dispose of it

3



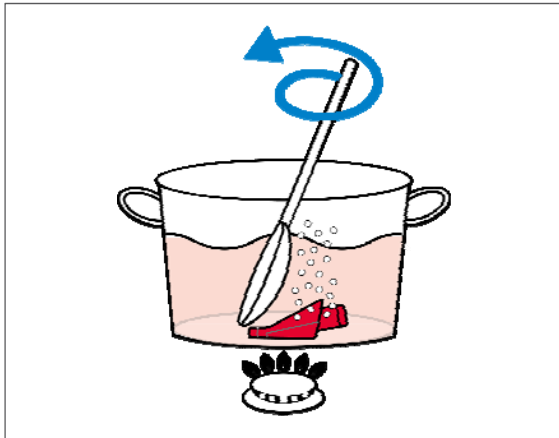
Bring water to the boil

4



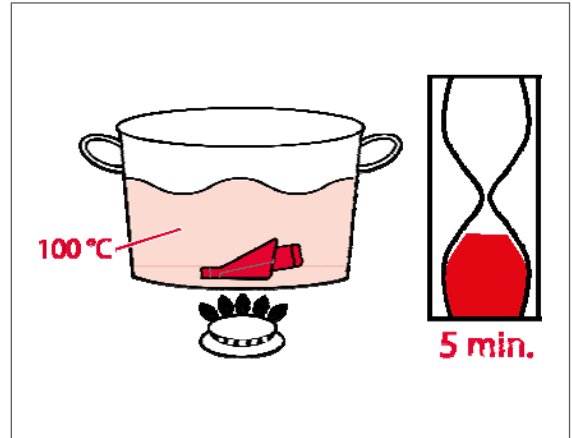
Insert mouthpiece with a spoon

5



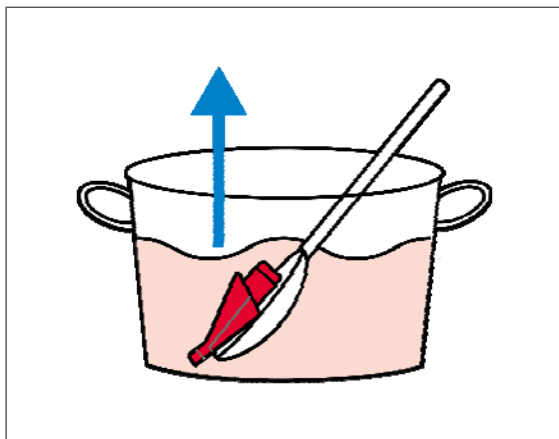
Ensure the mouthpiece is completely covered with water

6



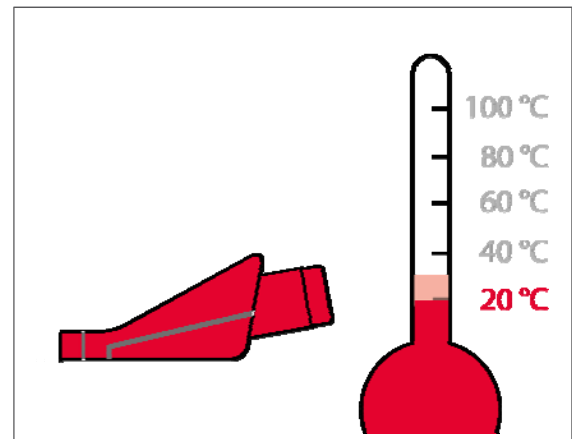
Leave mouthpiece for at least 5 minutes

7



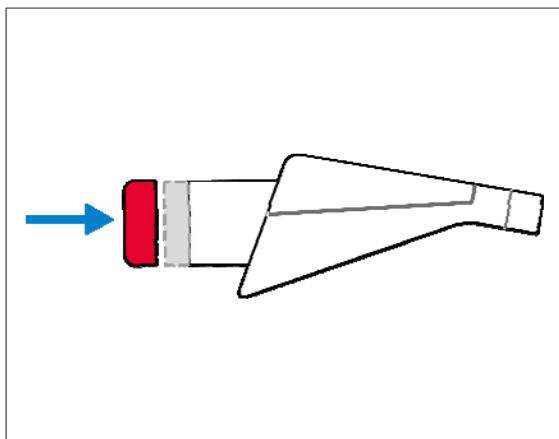
Remove mouthpiece with a spoon

8



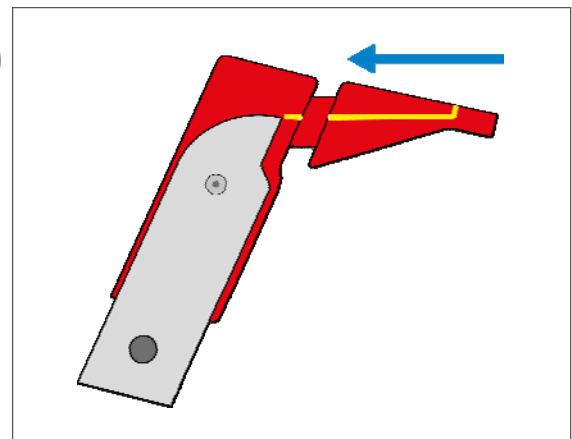
Leave mouthpiece to dry and cool

9



Place new membrane on mouthpiece



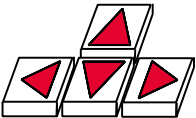




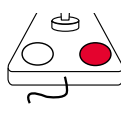


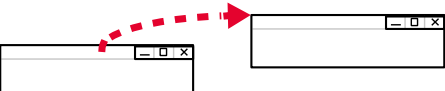
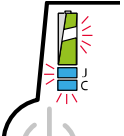
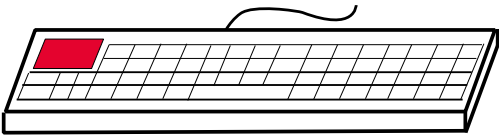
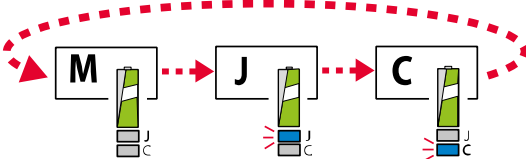
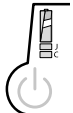
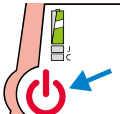
10



Insert mouthpiece in a straight movement

Functionality of IntegraMouse Plus

The IntegraMouse Plus offers three operating modes, standard mode is mouse mode

	M - Mouse	J - Joystick	C - Cursor
Move mouthpiece UP Move mouthpiece DOWN Move mouthpiece LEFT Move mouthpiece RIGHT			
Sip	Left click 	Button 1 	Space-key 
Puff	Right click 	Button 2 	Enter-key 
DOUBLE CLICK Briefly sip 2x	2 x 		
DRAG & DROP Sip and keep air in the mouthpiece			
CALIBRATE User: puff 3 sec. – sip 3 sec. Assistant: press ON/OFF briefly	LEDs start blinking		
ESC Puff 3 sec. – sip 2x – puff 1x			
CHANGE MODES Puff 2x – sip 2x – puff 1x			
Energy-saving-mode starts, when device is not used for 30 secs. (LEDs go out)	AWAKE move the mouthpiece		
Switch off: only in battery-mode and mouse must be active (green LEDs on)	POWER OFF Press ON/OFF 3 sec.		

More detailed information can be found in the instructions for use.